

IGBT MODULE (S series) 1400V / 15A / PIM



■ Features

■ Applications

- Inverter for Motoe Drive
- AC and DC Servo Drive Amplifier
- Uninterruptible Power Supply

■ Maximum ratings and characteristics

● Absolute maximum ratings (Tc=25°C unless without specified)

Item	Symbol	Condition	Rating	Unit		
Inverter	Collector-Emitter voltage	V _{CES}	1400	V		
	Gate-Emitter voltage	V _{GES}	±20	V		
	Collector current	I _C	Continuous	T _c =25°C	25	A
				T _c =75°C	15	
		I _{CP}	1ms	T _c =25°C	50	A
				T _c =75°C	30	
-I _C			15	A		
Collector power dissipation	P _C	1 device	110	W		
Brake	Collector-Emitter voltage	V _{CES}	1400	V		
	Gate-Emitter voltage	V _{GES}	±20	V		
	Collector current	I _C	Continuous	T _c =25°C	25	A
				T _c =75°C	15	
		I _{CP}	1ms	T _c =25°C	50	A
				T _c =75°C	30	
Collector power dissipation	P _C	1 device	110	W		
Repetitive peak reverse voltage	V _R RM		1400	V		
Converter	Repetitive peak reverse voltage	V _R RM	1600	V		
	Average output current	I _O	50Hz/60Hz sine wave	15	A	
	Surge current (Non-Repetitive)	I _{FSM}	T _j =150°C, 10ms	155	A	
	I ² t (Non-Repetitive)	I ² t	half sine wave	120	A ² s	
Operating junction temperature	T _j		+150	°C		
Storage temperature	T _{stg}		-40 to +125	°C		
Isolation voltage	between terminal and copper base *2	V _{iso}	AC : 1 minute	AC 2500	V	
	between thermistor and others *3			AC 2500		
Mounting screw torque			3.5 *1	N·m		

*1 Recommendable value : 2.5 to 3.5 N·m (M5)

*2 All terminals should be connected together when isolation test will be done.

*3 Terminal 8 and 9 should be connected together. Terminal 1 to 7 and 10 to 24 should be connected together and shorted to copper base.

● Electrical characteristics (T_j=25°C unless otherwise specified)

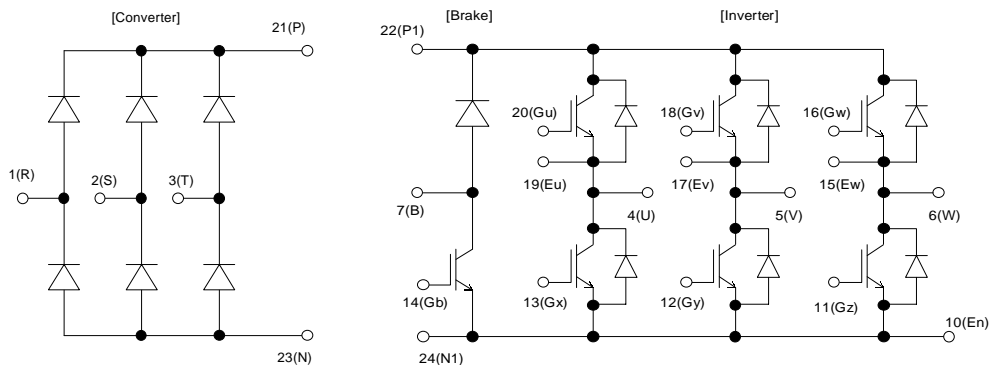
Item	Symbol	Condition	Characteristics			Unit		
			Min.	Typ.	Max.			
Inverter	Zero gate voltage collector current	ICES	V _{CE} =1400V, V _{GE} =0V		1.0	mA		
	Gate-Emitter leakage current	IGES	V _{CE} =0V, V _{GE} =±20V		0.2	μA		
	Gate-Emitter threshold voltage	V _{GE(th)}	V _{CE} =20V, I _c =15mA		5.5	7.2	8.5	V
	Collector-Emitter saturation voltage	V _{CE(sat)}	V _{GE} =15V, I _c =15A	chip	2.2		V	
				terminal	2.25	2.7		
	Input capacitance	C _{ies}	V _{GE} =0V, V _{CE} =10V, f=1MHz		1800		pF	
	Turn-on time	t _{on}	V _{CC} =800V I _c =15A V _{GE} =±15V		0.35	1.2	μs	
					0.25	0.6		
					0.1			
	Turn-off	t _{off}	R _G =82Ω		0.45	1.0		
				0.08	0.3			
Forward on voltage	V _F	I _F =15A	chip	2.4		V		
			terminal	2.45	3.3			
Reverse recovery time of FRD	t _{rr}	I _F =15A			0.35	μs		
Brake	Zero gate voltage collector current	ICES	V _{CEs} =1400V, V _{GE} =0V		1.0	mA		
	Gate-Emitter leakage current	IGES	V _{CE} =0V, V _{GE} =±20V		0.2	μA		
	Collector-Emitter saturation voltage	V _{CE(sat)}	I _c =15A, V _{GE} =15V	chip	2.2		V	
				terminal	2.3	2.7		
	Turn-on time	t _{on}	V _{CC} =800V I _c =15A V _{GE} =±15V		0.35	1.2	μs	
					0.25	0.6		
	Turn-off time	t _{off}	R _G =82Ω		0.45	1.0		
					0.08	0.3		
	Reverse current	I _{RRM}	V _R =1400V			1.0	mA	
	Forward on voltage	V _{FM}	I _F =15A	chip	1.1		V	
terminal				1.2	1.5			
Resistance	R	T=25°C		5000		Ω		
		T=100°C	465	495	520			
B value	B	T=25/50°C	3305	3375	3450	K		

● Thermal resistance Characteristics

Item	Symbol	Condition	Characteristics			Unit
			Min.	Typ.	Max.	
Thermal resistance (1 device)	R _{th(j-c)}	Inverter IGBT			1.14	°C/W
		Inverter FWD			1.85	
		Brake IGBT			1.14	
		Converter Diode			1.30	
Contact thermal resistance *	R _{th(c-f)}	With thermal compound		0.05		

* This is the value which is defined mounting on the additional cooling fin with thermal compound

■ Equivalent Circuit Schematic



■ Characteristics (Representative)

